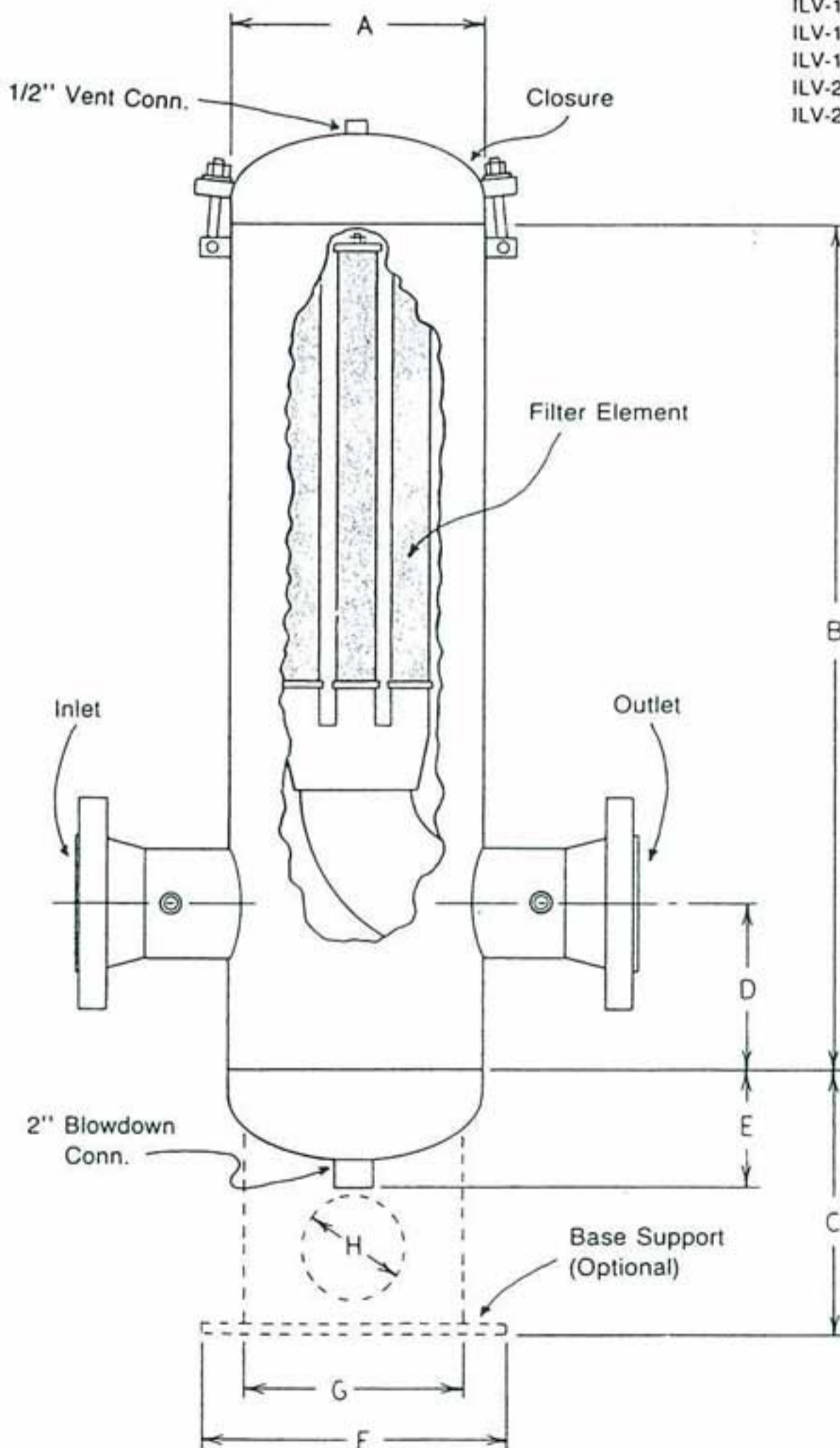


"S" SERIES DIMENSIONS

MODEL	"A"	"B"	"C"	"D"	"E"	"F"	"G"	"H"
ILV-6-S	6-5/8"	45"	11-1/2"	3"	5-3/8"	12"	6-5/8"	5"
ILV-8-S	8-5/8"	53"	12"	4-1/2"	5-3/4"	13"	6-5/8"	5"
ILV-10-S	10-3/4"	54"	16"	6"	6-7/8"	15"	8-5/8"	6"
ILV-12-S	12-3/4"	58"	16"	8"	7-1/2"	17"	10-3/4"	6"
ILV-14-S	14"	60"	16"	10-1/2"	7-3/4"	17"	10-3/4"	6"
ILV-16-S	16"	62"	18"	10-1/2"	8-1/8"	21"	14"	8"
ILV-18-S	18"	64"	18"	11"	8-3/4"	21"	14"	8"
ILV-20-S	20"	66"	18"	13"	9-1/4"	24"	18"	8"
ILV-24-S	24"	68"	19"	13"	10-1/4"	26"	20"	8"

"S" SERIES ELEMENTS & NOZZLES

MODEL	NUMBER ELEMENTS	NOZZLE SIZE	FACE TO FACE		
			150#	300#	600#
ILV-6-S	1	2"	18"	18-1/2"	19-1/4"
ILV-8-S	2	3"	21-1/2"	22-1/4"	23"
ILV-10-S	4	4"	23-1/2"	24-1/4"	26"
ILV-12-S	5	6"	29-1/4"	30"	32"
ILV-14-S	7	6"	33-1/4"	34"	36"
ILV-16-S	9	8"	35"	35-3/4"	38"
ILV-18-S	11	8"	39"	39-3/4"	42"
ILV-20-S	13	8"	41"	41-3/4"	44"
ILV-24-S	17	10"	45-1/2"	46-3/4"	50"



NOTES

- Maximum design pressures are:
 275 PSIG At 100°F With 150#ANSI Flanges
 720 PSIG At 100°F With 300#ANSI Flanges
 1440 PSIG At 100°F With 600#ANSI Flanges
- Standard filter elements are 3-1/2" O.D. by 36" long (Type KT-GSGE) manufactured by King Tool using a perforated metal core, a 1/2" thick molded fiber glass section and an outer polyester sock.
- Access to the filter elements is provided by use of an O-Ring Type Quick-Opening Closure. If preferred, a flange and blind can be used in lieu of a closure.
- Davits or hinges are provided on all units 10" or larger.
- Nozzle sizes other than those specified as standard can be provided if required. Such a variation would affect the given face-to-face dimensions.
- All units, unless otherwise specified are provided with the ASME Pressure Vessel Code Stamp and Certification.

KING TOOL COMPANY
LONGVIEW, TEXAS

**"S" SERIES VERTICAL
INLINE GAS FILTERS**

CERTIFIED: _____ SCALE: NONE
 DRAWN BY: S.T.W. DATE: FEB. 16, 1982

DRAWING NUMBER
ILV - 6/24 - S

NO.	BY	DATE	REVISIONS